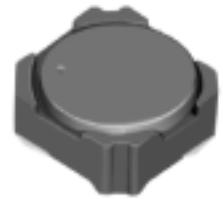
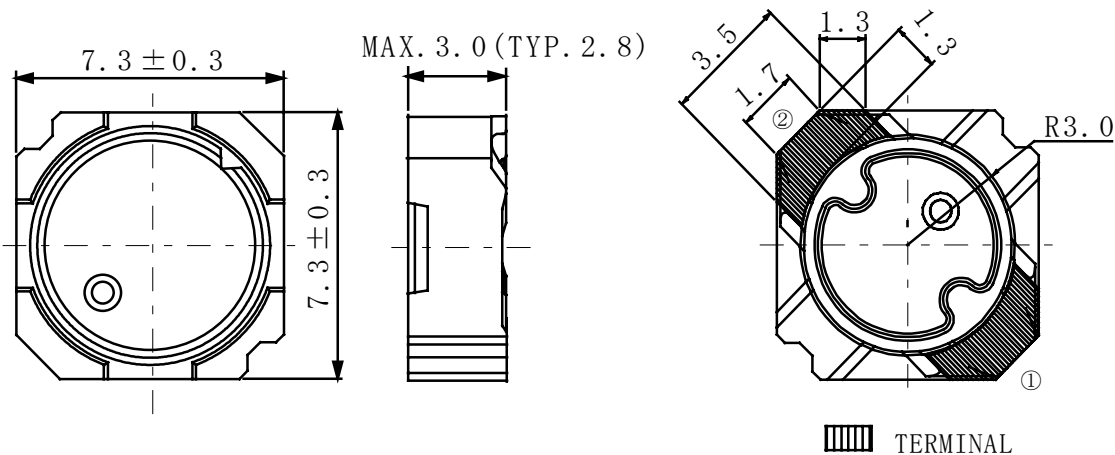
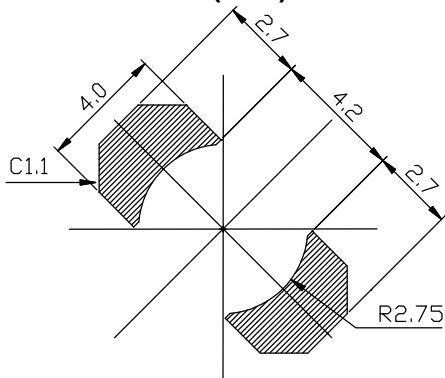


Type: CDR7D28MN
◆ Product Description

- 7.6×7.6mm Max.(L×W), 3.0mm Max. Height.
- Inductance Range: 1.2~470 μ H
- Rated current range: 0.28~4.5A
- In addition to the standard versions of inductors shown here, custom inductors are available to meet your exact requirements.


◆ Feature

- Magnetically shielded construction.
- Hybrid power inductors use Mn-Zn D.core & Ni-Zn R.core, used as general power inductors.
- Higher saturation current characteristics than that of Ni-Zn inductors.
- Usually used in LCD driver,DSC/DVC,Notebook PC or the other portable equipment,.
- RoHS Compliance.

◆ Dimensions (mm)

◆ Land Pattern (mm)


Please refer to the sales offices on our website for a representative near you

Type: CDR7D28MN
◆ Specification

Part Name ※	Stamp	Inductance [Within] (100kHz/1V)	D.C.R.(mΩ) Max.(Typ.) (at 20°C)	Saturation Current (A) ※1		Heating Current (A) ※2 ΔT=40°C
				(at20°C)	(at105°C)	
CDR7D28MNNP-1R2 N□	1R2	1.2 μ H±25%	20.5(16.4)	5.90	4.65	4.50
CDR7D28MNNP-2R0 N□	2R0	2.0 μ H±25%	23.8(19)	4.55	3.65	3.95
CDR7D28MNNP-2R7 N□	2R7	2.7 μ H±25%	27.5(22)	4.10	3.30	3.70
CDR7D28MNNP-3R6 N□	3R6	3.6 μ H±25%	32.5(26)	3.55	2.90	3.45
CDR7D28MNNP-4R6 N□	4R6	4.6 μ H±25%	37.5(30)	3.30	2.65	3.20
CDR7D28MNNP-6R8 N□	6R8	6.8 μ H±25%	46.3(37)	2.90	2.45	2.75
CDR7D28MNNP-8R0 N□	8R0	8.0 μ H±25%	50.0(40)	2.60	2.10	2.60
CDR7D28MNNP-100 N□	100	10 μ H±25%	53.8(48)	2.40	1.95	2.50
CDR7D28MNNP-150 N□	150	15 μ H±25%	81.3(65)	2.10	1.65	2.00
CDR7D28MNNP-220 N□	220	22 μ H±25%	120.0(96)	1.65	1.35	1.60
CDR7D28MNNP-330 N□	330	33 μ H±25%	196.3(157)	1.35	1.10	1.20
CDR7D28MNNP-470 N□	470	47 μ H±25%	275.0(220)	1.05	0.85	1.00
CDR7D28MNNP-680 N□	680	68 μ H±25%	425.0(340)	0.90	0.70	0.78
CDR7D28MNNP-101 N□	101	100 μ H±25%	655.0(524)	0.75	0.60	0.65
CDR7D28MNNP-151 N□	151	150 μ H±25%	950.0(760)	0.60	0.45	0.52
CDR7D28MNNP-221 N□	221	220 μ H±25%	1320(1100)	0.50	0.40	0.40
CDR7D28MNNP-331 N□	331	330 μ H±25%	2184(1820)	0.35	0.30	0.31
CDR7D28MNNP-471 N□	471	470 μ H±25%	2652(2210)	0.30	0.25	0.28

※ Description of part name

CDR7D28MNNP-1R2 N□

- B Box
- C Carrier Tape

※1. Saturation current: The DC current at which the inductance decreases to 65% of its nominal value.

※2. Temperature rise current: The DC current at which the temperature rise is Δt=40°C.(Ta=20°C).